



Overseas model shown.
Illustration may contain optional features to the model.

ENGINE

Power: 530hp (387kW) @ 1900rpm
Torque: 2400Nm @ 950rpm

TRANSMISSION

16 Speed automated

MASS RATINGS

GVM: 32500kg
GCM: 70000kg

WHEELBASE

5300mm | 5600mm

KEY FEATURES

- Compliant to Euro VI STEP E Emission standard
- GPS Predictive Drive
- Advanced Emergency Braking System
- Adaptive Cruise Control
- Lane Departure Warning
- Full LED Headlights with cornering fog lights
- 7" Infotainment system with Apple CarPlay®
- Climate control HVAC system

WARRANTY

Standard Warranty
3 Years/750,000km (whichever occurs first)

Extended Warranty
Optional - Up to 5 Years/1,000,000km (whichever occurs first)

	Driveline Only	Driveline Plus*
Driveline	•	
Extra Driveline	•	•

MAINTENANCE & REPAIR CONTRACTS

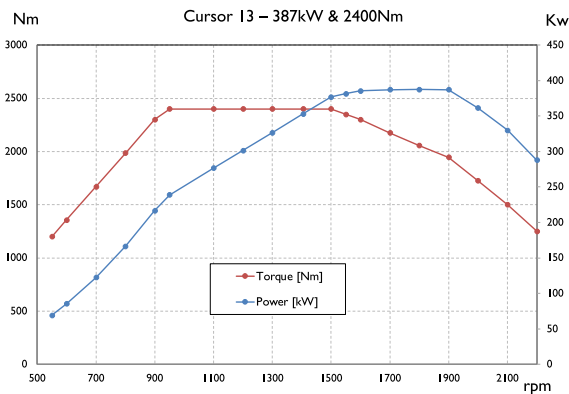
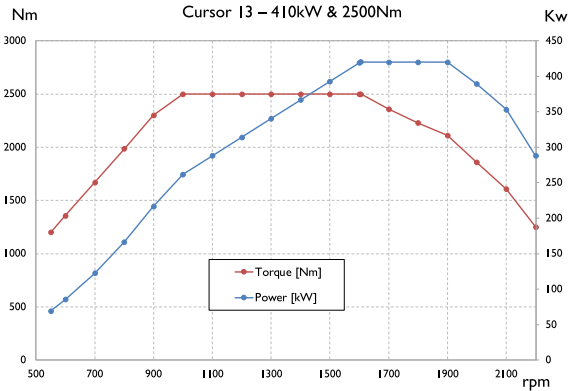
	Maintenance	Friction	Repair
Service Bond	•		
Friction	•	•	
Easy Road (complimentary for first year)	•	•	•

Contracts available up to 5 years/1,000,000km (whichever occurs first)

*Please refer to extended warranty standard inclusions list at your IVECO dealer.

ENGINE

Engine Model	Cursor I3	
Total Displacement	12,900cm ³	
Maximum Power	Standard: 530hp (387kW) @ 1700rpm	Optional: 550hp (410kW) @ 1600rpm
Maximum Torque	Standard: 2400Nm @ 950rpm	Optional: 2500Nm @ 1000rpm



Injection type	Direct
Fuel Injection system	Common rail
Bore & Stroke	135 & 150mm
After-Treatment System	Hi-e SCR after-treatment system with DOC: Diesel Oxydation Catalyst DPF: Diesel Particulate Filter SCR: Selective Catalytic Reduction CUC: Clean Up Catalyst
Emission Compliance	Euro VI STEP E

TRANSMISSION

Description	Automated Manual Transmission (AMT)	
Make & Model	Hi-Tronix I6 TX 2640 TD	
Shifter type	Dash mounted electronic shifter with column mounted sequential shifter	
Gear ratios: Hi-Tronix I6TX 2640 TD	1st:	17.94
	2nd:	14.68
	3rd:	12.12
	4th:	9.92
	5th:	8.28
	6th:	6.78
	7th:	5.58
	8th:	4.57
	Rev 1:	17.27
	Rev 2:	14.14
	9th:	3.93
	10th:	3.22
	11th:	2.65
	12th:	2.17
	13th:	1.81
	14th:	1.49
	15th:	1.22
	16th:	1.00
	Rev 3:	3.78
	Rev 4:	3.10

POWER TAKE-OFF

Rear engine PTO Provision	Equipped
Engine PTO (Optional)	Flange (DIN 10 - 6Hole)
Sandwich PTO (Optional)	Flange (120 ISO 8667)

PTO Control	Equipped with activation switch and electrics
-------------	---

REAR AXLE RATIO

Rear Axle Ratio	Standard: 3.09 Optional: 3.4
-----------------	---------------------------------

PERFORMANCE

Engine RPM @ 100km/h	1617
Road speed limiter	100km/h, Conforms to ADR65
Gradeability ¹ @ Rated GVM	74%
Gradeability ¹ @ Rated GCM	34%
¹ This is theoretically calculated. Actual performance may vary under different conditions.	

AXLE & SUSPENSION

Front Axle Model & Type	2x 5890/D ON - Axle drop: 142mm
Front suspension	Load sharing air suspension with dampers
FA & suspension capacity	12000kg
FA group mass rating	12000kg (with tyres)
Front Stabiliser bar	Diameter ø45mm/ Roll rate: 3300Nm/Deg
Rear Axle Model & Type	MT23-150/D - Tandem Single reduction
Rear suspension	8 Bellow air suspension with ECAS Stroke: Raise/lower - 125mm/-65mm
Rear dampers	Equipped
RA & suspension capacity	23000kg
RA group mass rating	21000kg (with tyres)
Rear Stabiliser bar	Diameter: ø60mm/Roll rate: 8247Nm/Deg
Axle load indicator	Equipped (with pneumatic suspension only)
Differential Cross Lock	Equipped
Road friendly suspension Certification	RFCN: RF2103

BRAKES & AUXILIARY BRAKES

Type/Control	Full air/Electronic Braking System (EBS) - ABS (Anti-lock Braking System) - ASR (Anti-Skid Regulator) - DPI (Direct Brake Integration) - BAS (Brake Assistant System) - BVR (Brake Lining Wear Adjustment) - ARB (Hill Holder) - ESC (Enhanced Stability Control)
Front axle	Ventilated Disc: Diameter 432mm/ Braking surface : 784cm ²
Rear axle	Ventilated Disc: Diameter 432mm/ Braking surface : 784cm ²
Engine brake with 3 level retardation	Equipped
Transmission Intarder	Equipped

CHASSIS

Dimensions	304.4x80x7.7mm
Chassis width (at rear)	771.4mm
Material	Steel
Tensile strength	610N/mm ²
Exhaust Pipe	Chassis mounted ATS & Horizontal pipe
Air Tanks	Aluminium
Front tow hook	Equipped
Towing cross member (D=200kN)	Equipped

WHEELS & TYRES

Rim Type	10-Stud disc wheel (ISO type) PCD 335mm Finish: Brushed Alloy
Rim size	22.5" x 8.25"
Tyre size	Front 295/80R22.5 Rear 295/80R22.5

FUEL & ADBLUE® TANK

Fuel Tank with lockable cap	480L
AdBlue® Tank	50L

FUEL SAVING FEATURES

GPS-Predictive Drive	Equipped
Eco-Roll	Equipped
EcoSwitch	Equipped

SAFETY FEATURES

Electronic Stability Programme (ESP)	Equipped
Anti-lock Brake System (ABS)	Equipped
Anti-slip Regulator (ASR)	Equipped
Advanced Emergency Braking System (AEBS)	Equipped
Adaptive Cruise Control (ACC)	Equipped
Lane Departure Warning System (LDWS)	Equipped
Reverse Buzzer	Equipped
Daytime Running Lamp (DRL)	Equipped
ECE-R29 Cab Strength Certification	Equipped
ECE-R93 Front Underrun Protection (FUP)	Equipped

ELECTRICAL & ELECTRONICS

Voltage	24V System
Batteries	2x 12 Volt/220Ah Batteries
Electrical battery cutout	Equipped
Battery position	Between 2nd & 3rd axles - RHS
Alternator	28Volt/120A Smart Alternator
Fleet Management System data interface (FMS)	Equipped
Chassis mounted jump start plug	Equipped
CAN OPEN Bodybuilder interface	Equipped
LED Headlamp - Low beam	Equipped
LED Headlamp - High beam	Equipped
Daytime Running Lamp (DRL)	Equipped
Fog light with cornering & bending	Equipped
LED Rear lights	Equipped
Chassis mounted pneumatic horn	Equipped
7-pin trailer connection	Equipped

STEERING

Telescopic & Tilt adjustable steering column	Standard
Steering wheel	Soft touch steering wheel with following: - Controls for the information screen - Controls for the phone - Activation for voice recognition - Controls for ACC (Adaptive cruise control) - Controls for radio/media volume Optional: Leather steering wheel
Steering angle	1st FA: Inside: 45° Outside: 32° 2nd FA: Inside: 28° Outside: 23°

SERVICE INTERVALS

Engine oil change interval ²	75,000km/12 Months
---	--------------------

²Based on normal operating conditions and may be reduced when operating under severe conditions.

CAB EXTERIOR

Cab type	Low roof sleeper cab (AS)
Cab tilt mechanism	Servo assisted cab tilt mechanism
Cab mounting	Air suspended front and rear
Windscreen Wipers	Automatic - Rain sensing 2 Speed with Integrated Washer Nozzles
Front Bumper	Multi-piece hybrid (Plastic + metal) front bumper with foldable step

Rearview mirrors	2 x Motorised, heated flat main mirrors & convex spotters 1 x LHS kerb view & front view mirrors
External Sunvisor	Equipped
Colour	White IC 194

CAB INTERIOR

Seating capacity	Two
Driver Seat	Standard: Fabric, Air suspended, Heated, 3-Way adjustable seat
Passenger Seat	Standard: Fabric, Air suspended, Heated, 3-Way adjustable seat
Seat Belt	3-point Lap/Sash type
Sun visor & overhead consoles	Equipped on both driver & Passenger side
Sleeper berth with net protection - ADR 42 Compliant	Equipped

Multimedia unit	7" LCD HD touch screen display DAB + AM/FM radio USB input, Bluetooth® connectivity Smart phone mirroring Apple CarPlay® Voice recognition In built Tom Tom Satellite navigation system Reverse/Side camera compatible Optional: Voice assist (Powered by Amazon Alexa®) USB charging ports (TYPE A) 12 Volt power socket
-----------------	---

HVAC System	Equipped - with climate control
Immobiliser	Equipped - with 3 x remote central lock keys
Power Windows	Equipped
Cup holders	Equipped
Interior lighting	LED Internal Lights
Ambience lighting	With ambience lighting
Rollup sun blinds for doors	Equipped
Electric roof hatch	Equipped
Refrigerator	50L+50L Refrigerator (Cool box + fridge/freezer)
Bunk Curtains	Equipped

GENUINE ACCESSORY OPTIONS

- Phone Cradle	- Rubber Floor Mats
- Cameras	- Seat Covers
- Foot Well Liners	- 24 to 12 Volt Voltage Reducer

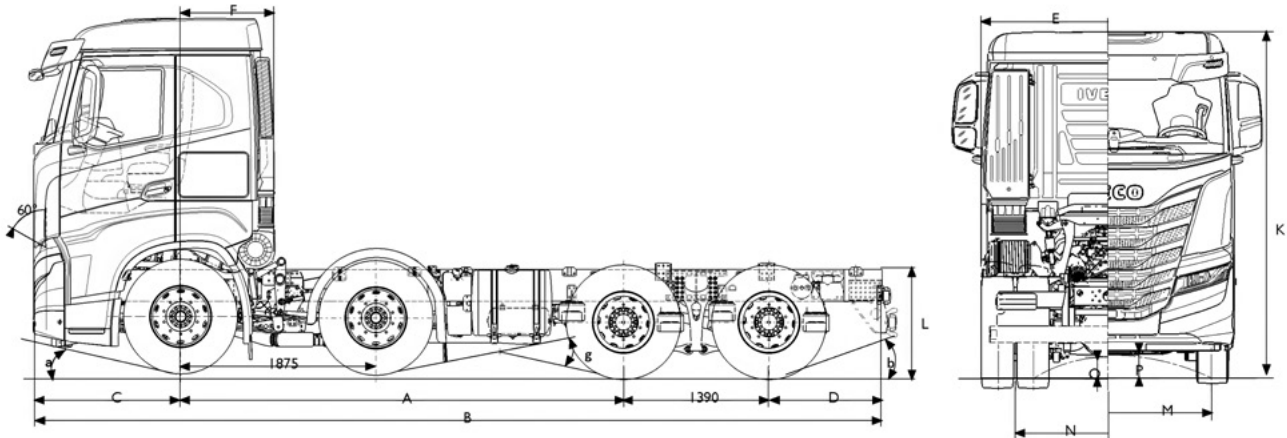
Please check with your dealer for availability and price.

IVECO TELEMATICS

Telematics Hardware	Equipped (GSM & GPS & Antenna & 4G SIM) with provision for mobile cradle. Upon subscription. Features include: - MYIVECO Smart report - MYIVECO Web portal - MYIVECO Vehicle monitoring & remote assistance - MYIVECO Easy Way app
Smart connectivity pack (Included for 5 years)	
Premium pack	Optional

MODEL CODE: AS270S53Z/FP ON

Application: Rigid



DIMENSIONS & WEIGHTS

Wheelbase	5300mm	5600mm
Overall length	10538mm	10838mm
Max width over fenders	2500mm	
Front axle to back of cab - including filter	940mm	
Frame height at end of frame, unladen	1026mm	
Front overhang	1410mm	
Rear overhang	2433mm	
Minimum ground clearance (front)	244mm	
Minimum ground clearance (rear)	250mm	
Overall height to top of cab, unladen	3469mm	
Turning diameter kerb to kerb	21604mm	22586mm
Turning diameter wall to wall	23204mm	24186mm
Front track	2044mm	
Rear track	1820mm	
Approach angle (°)	14°	
Departure angle (°)	18°	
Ramp angle (°)	23°	
Total vehicle kerb weight*	10321kg	10525kg
Kerbweight on Front Axle*	7271kg	7297kg
Kerbweight on Rear Axle*	3050kg	3228kg
Gross Vehicle Mass (Plated)	32500kg	
Gross Combination Mass (Plated)	70000kg	

Notes:

*Indicative chassis tare mass with Standard options, without fuel, Adblue® and driver. ±3% tolerance apply.